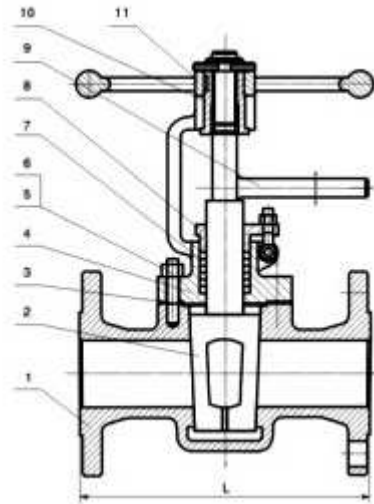




## CONNECTION LIFT PLUG VALVE



Features:

## CONNECTION LIFT PLUG VALVE

### Main structural features

Bolt bonnet OS & Y lifting-round plug.

Opening and closing of the valve is carried out while the sealed surface is taken off, so it will not cause abrasion on the sealed surface. Double direction.

### Principle of opening and closing of the valve

process of opening and closing of the valve. When opening the valve, first of all, turn the hand wheel to make the plug lifted and separated with the sealed surface, then turn the handle by 90 degrees to connect the channel of the plug with the channel of the valve body. So that the valve is opened. When closing the valve, first of all, turn the handle by 90 degrees to mark the channel of the plug vertical to the channel of the valve body, and then the hand wheel to descend the plug. So that the valve is closed.

### Standards compliance

Design and Manufacture: API 599, API 6D



Face to face(end to end): ANSI B 16.10

Flanged connection: ANSI B16.5

Butt welded end: ANSI B16.25

### Main parts materials

NO.	Part name	Material						
		A216 WCB	A217 WC9	A217 C5	A351 CF8	A351 CF8M	A351 CF3	A351 CF3M
1	Body	A216 WCB	A217 WC9	A217 C5	A351 CF8	A351 CF8M	A351 CF3	A351 CF3M
2	Plug	A351 CF8	A351 CF8	A351 CF8	A351 CF8	A351 CF8M	A351 CF3	A351 CF3M
3	Gasket	Flexible graphite+stainless steel/PTFE						
4	Cover	A216 WCB	A217 WC9	A217 C5	A351 CF8	A351 CF8M	A351 CF3	A351 CF3M
5	Bolt	A193 B7	A193 B16	A193 B16	A1293 B8	A193 B8M		
6	Nut	A194 2H	A194 4	A194 4	A194 8	A194 8M		
7	Packing	Flexible graphite/PTFE						
8	Gland	A216 WCB	A216 WC9	A216 C5	A351 CF8	A351 CF8M		
9	Wrench	A216 WCB	A216 WC9	A216 C5	A351 CF8	A351 CF8M		
10	Yoke nut	A439-D2/Cu-Allog						
11	Hand wheel	ASTM A536 Gr.60-40-18 A216 WCB						

### CONNECTION LIFT PLUG VALVE

Dimensions
Class 150Lb



Size	inch	1/2	3/4	1	1-1/4	1-1/2	2	2-1/2	3	4	5	6	8	10	12	14
L-RF	mm	108	117	127	140	165	178	190	203	229	254	267	292	330	356	381
H	mm	190	195	225	260	280	310	340	395	435	470	535	590	630	680	720
W	mm	120	140	140	180	200	220	260	300	300	340	400	450	450	500	500
Weight	Kg	9	10	11	17	19	23	25	32	55	82	98	130	178	250	380

Dimensions																
Class 300Lb																
Size	inch	1/2	3/4	1	1-1/4	1-1/2	2	2-1/2	3	4	5	6	8	10	12	14
L-RF,BW	mm	140	152	165	178	190	216	241	283	305	381	403	419	457	502	762
H	mm	190	195	225	260	280	310	340	395	435	470	535	590	630	680	720
W	mm	120	140	140	180	200	220	260	280	300	340	400	450	450	500	500
Weight	Kg	10	12	14	19	21	28	34	39	75	85	135	200	255	415	650

Dimensions																
Class 600Lb																
Size	inch	1/2	3/4	1	1-1/4	1-1/2	2	2-1/2	3	4	5	6	8	10	12	14
L-RF,BW	mm	165	190	216	229	241	292	330	356	432	508	559	660	787	838	889
H	mm	190	195	225	260	280	310	340	395	435	470	535	590	630	680	720
W	mm	120	140	140	180	200	220	260	280	300	340	400	450	450	500	500
Weight	Kg	13	14	19	23	25	32	40	55	105	139	300	440	730	1150	1570

Dimensions																
Class 900Lb																
Size	inch	1/2	3/4	1	1-1/4	1-1/2	2	2-1/2	3	4	5	6	8	10	12	14
L-RF,BW	mm	229	229	254	279	305	368	419	381	457	559	610	737	838	965	1029
H	mm	190	195	225	260	280	310	340	395	435	470	535	590	630	680	720
W	mm	120	140	140	180	200	220	260	280	300	340	400	450	450	500	500
Weight	Kg	16	17	26	30	33	39	50	70	137	181	397	590	860	1470	1880